

## Hygro-Thermo-Baro-Transmitter-Compact

### Instruction for Use

1.1006.54.xxx

At start of software version V2.03



Dok. No. 021883/08/21-preliminary draft

### Safety Instructions

- Before operating with or at the device/product, read through the operating instructions. This manual contains instructions which should be followed on mounting, start-up, and operation. A non-observance might cause:
  - failure of important functions
  - endangerment of persons by electrical or mechanical effect
  - damage to objects
- Mounting, electrical connection and wiring of the device/product must be carried out only by a qualified technician who is familiar with and observes the engineering regulations, provisions and standards applicable in each case.
- Repairs and maintenance may only be carried out by trained staff or **Adolf Thies GmbH & Co. KG**. Only components and spare parts supplied and/or recommended by **Adolf Thies GmbH & Co. KG** should be used for repairs.
- Electrical devices/products must be mounted and wired only in a voltage-free state.
- **Adolf Thies GmbH & Co. KG** guarantees proper functioning of the device/products provided that no modifications have been made to the mechanics, electronics or software, and that the following points are observed:
- All information, warnings and instructions for use included in these operating instructions must be taken into account and observed as this is essential to ensure trouble-free operation and a safe condition of the measuring system / device / product.
- The device / product is designed for a specific application as described in these operating instructions.
- The device / product should be operated with the accessories and consumables supplied and/or recommended by **Adolf Thies GmbH & Co. KG** .
- Recommendation: As it is possible that each measuring system / device / product may, under certain conditions, and in rare cases, may also output erroneous measuring values, it is recommended using redundant systems with plausibility checks for **security-relevant applications**.

### Environment

- As a longstanding manufacturer of sensors Adolf Thies GmbH & Co KG is committed to the objectives of environmental protection and is therefore willing to take back all supplied products governed by the provisions of "*ElektroG*" (German Electrical and Electronic Equipment Act) and to perform environmentally compatible disposal and recycling. We are prepared to take back all Thies products concerned free of charge if returned to Thies by our customers carriage-paid.
- Make sure you retain packaging for storage or transport of products. Should packaging however no longer be required, please arrange for recycling as the packaging materials are designed to be recycled.



### Documentation

- © Copyright **Adolf Thies GmbH & Co. KG**, Göttingen / Germany
- Although these operating instructions have been drawn up with due care, **Adolf Thies GmbH & Co. KG** can accept no liability whatsoever for any technical and Typeographical errors or omissions in this document that might remain.
- We can accept no liability whatsoever for any losses arising from the information contained in this document.
- Subject to modification in terms of content.
- The device / product should not be passed on without the/these operating instructions.

## Table of contents

1	Models .....	5
2	Application .....	6
3	Setup and Mode of Operation .....	6
4	Recommendation Side Selection / Standard Installation .....	8
5	Installation.....	8
5.1	Electrical Mounting .....	9
5.2	Connection Diagram.....	9
5.3	Cable Assignment .....	10
5.4	Plug Assignment.....	10
5.4.1	Cable .....	11
5.4.2	Cable Shield.....	11
5.4.3	Plug and Cable Mounting .....	12
6	Maintenance .....	13
7	Firmware Update .....	13
8	Bootloader .....	14
9	Analog Output.....	15
10	Interface.....	16
10.1	Command Interpreter THIES .....	17
10.1.1	Telegram Formats.....	18
10.1.2	Generation Check Sum:.....	19
10.1.3	Status Information:.....	19
10.2	Commands and Description .....	20
10.2.1	Command BR .....	21
10.2.2	Command CF .....	21
10.2.3	Command CI.....	22
10.2.4	Command FB.....	22
10.2.5	Command ID.....	23
10.2.6	Command KY .....	23
10.2.7	Command LL .....	24
10.2.8	Command OL .....	25
10.2.9	Command OR .....	26
10.2.10	Command PO .....	26
10.2.11	Command RD .....	27
10.2.12	Command RS .....	27
10.2.13	Command SF.....	28
10.2.14	Command SH .....	28
10.2.15	Command SN .....	29
10.2.16	Command TA.....	29
10.2.17	Command TR .....	30
10.2.18	Command TT.....	30
10.2.19	Command EFS .....	31
10.2.20	Command AVN.....	31
10.2.21	Command AVX .....	32
10.2.22	Command BVN.....	32
10.2.23	Command BVX .....	33
10.2.24	Command CVN.....	33
10.2.25	Command CVX.....	34

10.2.26	Command OSN .....	34
10.2.27	Command OSX.....	35
10.3	Command Interpreter MODBUS RTU.....	35
10.3.1	Measured Values (Input Register).....	36
10.3.2	Commands (Holding Register).....	37
10.3.3	Device detection (Read Device Identification) .....	38
11	Data Telegrams .....	39
11.1	Telegram 1 .....	39
11.2	Telegram 2 .....	40
11.3	Telegram 3 .....	41
11.4	Telegram 4 .....	42
11.5	Telegram 5 .....	43
11.1	Telegram 6 .....	43
11.2	Telegram 7 .....	44
12	Technical Data.....	45
13	Dimensional Drawing Cable Version.....	46
14	Dimensional Drawing Plug Version .....	47
15	Accessories (optional).....	48
16	Appendix.....	49
16.1	Calibration of the Sensor .....	49
16.2	Calibration of Temperature / Humidity .....	49
16.3	Calibration of Air Pressure.....	49
16.4	Calculation of Air Pressure .....	51
16.5	Exchange of Hygro-Thermo Sensor Element.....	52
16.6	Table and Figures Overview .....	54
17	EC-Declaration of Conformity .....	55

[The list of tables and figures can be found in the appendix.](#)

# 1 Models

Order no.	Serial interface / Data format / Analogue Output	Supply	Model with
1.1006.54.080	RS 485 HD / THIES ASCII / -	5 ... 30V DC	5m cable
1.1006.54.081	RS 485 HD / MODBUS RTU / -	5 ... 30V DC	5m cable
1.1006.54.141	RS 485 HD / THIES ASCII / 4 ... 20mA	15 ... 30V DC	5m cable
1.1006.54.160	RS 485 HD / THIES ASCII / 0 ... 1V	5 ... 30V DC	5m cable
1.1006.54.161	RS 485 HD / THIES ASCII / 0 ... 10V	15 ... 30V DC	5m cable
1.1006.54.741	RS 485 HD / THIES ASCII / 4 ... 20mA	15 ... 30V DC	Plug*
1.1006.54.760	RS 485 HD / THIES ASCII / 0 ... 1V	5 ... 30V DC	Plug*
1.1006.54.761	RS 485 HD / THIES ASCII / 0 ... 10V	15 ... 30V DC	Plug*
1.1006.54.780	RS 485 HD / THIES ASCII / -	5 ... 30V DC	Plug*
1.1006.54.781	RS 485 HD / MODBUS RTU / -	5 ... 30V DC	Plug*

\*Incl. Mating connector

See 14. Accessories (optional).

The following parts are included in the scope of delivery:

- 1 x Hygro-Thermo-Baro-Transmitter-Compact
- 1 x Instructions for use short version (included in the package)
- 1 x Factory setting (included in the package)

The inductions for use for the Hygro-Thermo-Baro-Transmitter-Compact are available for download under the following link:

[https://www.thiesclima.com/db/dnl/1.1006.54xxx\\_Hygro\\_Thermo\\_Bar\\_o\\_en.pdf](https://www.thiesclima.com/db/dnl/1.1006.54xxx_Hygro_Thermo_Bar_o_en.pdf) (active after series release)

## 2 Application

---

Hygro-thermo-baro transmitters from our *COMPACT* series are designed to measure relative humidity, temperature and barometric air pressure.

This sensor is above all intended for use at meteorological measuring stations for connection to data logger systems. Thanks to its universal interface the sensor can also be used as a single solution in every application suitable for the purpose.

The use of high-quality sensors for the parameters to be measured allows the sensor to achieve the following:

- High long-term stability.
- Virtually linear characteristic.
- Good dynamic behaviour.
- Dewing resistance.
- Low temperature coefficients.
- Small hysteresis.

The interface to the device is digital and consists of an RS485 interface in half duplex mode. In conjunction with ID-based communication the interface enables operation of the sensors in a bus system. Two data protocols are available:

- ASCII (THIES format).
- Binary (MODBUS-RTU).

In addition to the digital interface, the transmitters with article numbers 1.1006.54.x4x and 1.1006.54.x6x have 3 analogue outputs which can be configured as a current or voltage output (see chapter 1.). The digital output can be used simultaneously with the analogue outputs.

**Note:**

***For use outdoors we recommend additionally using a weather and thermal radiation shield. This is can be ordered as an optional accessory. [See 13. Accessories.](#)***

## 3 Setup and Mode of Operation

---

The sensor is equipped with a built-in pressure sensor, as well as a replaceable hygro-thermo module for the capture of air temperature and relative humidity.

The replaceable hygro-thermo module and the pressure sensor are factory-adjusted and calibrated.

The sensor is supplied without a filter cap. The hygro-thermo sensor element is protected with its own white membrane. The sensor thus offers excellent dynamic behaviour. This protective membrane must not be removed. We offer an additional filter cap for e.g. maritime applications (see 14. Accessories).

The individual measured values are captured and analysed once a second. Averaging in the sensor is not carried out. The seconds value last measured is always output. The dew point is calculated internally from the temperature and relative humidity. It is additionally output in the data telegram.

The air pressure sensor is contained inside the housing. Pressure equalisation in relation to the housing interior takes place via the connecting cable and the cable connector, which are not pressure-tight. The air pressure sensor always measures the current air pressure (QFE) present at the installation site. The station height above sea level can be specified using parameter SH to calculate the reduced air pressure at sea level (QFF). The reduced air pressure (QFE) is the air pressure which is given by official bodies (for example meteorological services) for a specific location.

The internal air pressure of the transmitter is equalised via the cable. For this reason, the air pressure is measured from the end of the cable. The air pressure is measured at the height of the transmitter. Pressure fluctuations, for example door closed in an airtight room, are dampened to the greatest possible extent by the long-time constant of over 8s.

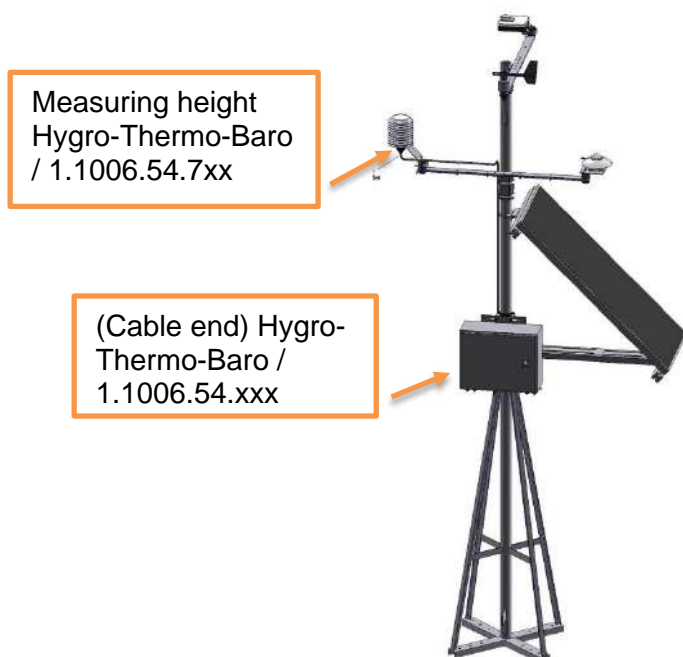


Figure 1: Example Pressure Equalization

## 4 Recommendation Side Selection / Standard Installation

---

The hygro-thermo-baro transmitter should be mounted at a location that is representative for climate measurement: for meteorological and climatological applications 2m above ground with grass. To protect the sensor from direct sunlight and precipitation it is installed in a weather and thermal radiation shield (see [13. Accessories](#)).

The installation position is fixed when using a weather and thermal radiation shield.

With applications without a weather and thermal radiation shield theoretically any installation position can be selected. The sensor should however be installed to avoid the ingress of water and radiation from the sun. Dewing and splashes of water will not damage the sensor but lead to "wrong" measured values.

It should also be ensured that the operating voltages are observed and that the air circulation around the sensor is good. Any deviations here may influence measured values (e.g., due to self-heating).

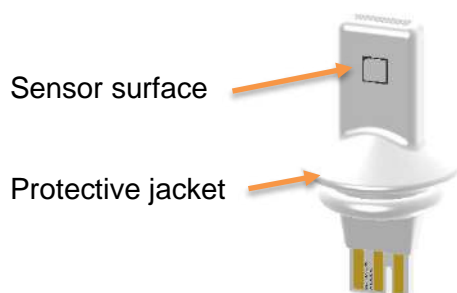
If wall-mounted (indoor application), the sensor part should preferably be pointing down vertically and with duct installation, horizontally to the rear.

## 5 Installation

---

### Note:

Do not touch the highly sensitive hygro-thermo sensor element on the sensor surface.



The white protective jacket on the hygro-thermo sensor element must not be removed.



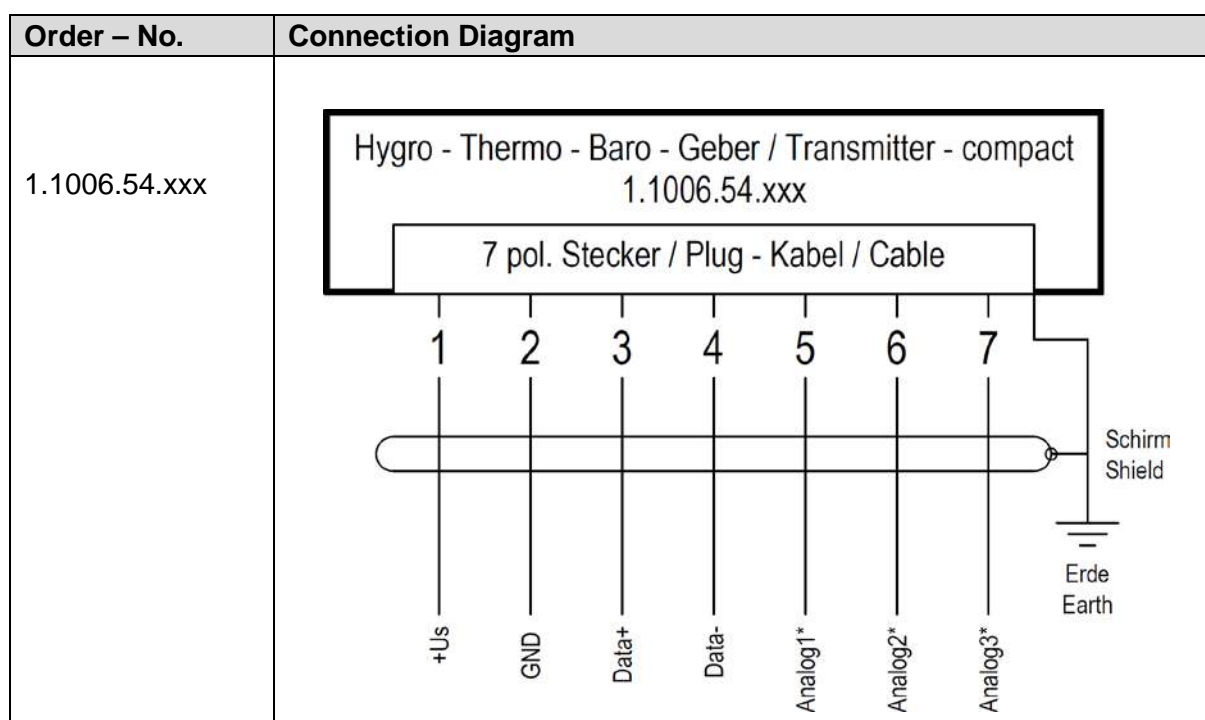
## 5.1 Electrical Mounting

**Note:**

*The RS485 interface is electrically connected with the supply voltage. Internally the sensor has 2 bias resistors of 47kOhm with RxD +3.3V and TxD GND.*

*Pressure equalisation for the pressure sensor takes place via the cable. Please bear this in mind on installation.*

## 5.2 Connection Diagram



\* Outputs 1 to 3 only have a function with analogue output sensors and are configurable

### 5.3 Cable Assignment

Order – No.	PIN	Name	Function	Core color
1.1006.54.x8x	1	+Us	5 ... 30V DC	white
	2	GND	Ground	brown
	3	Data+	RS485 Data + (A)	green
	4	Data-	RS485 Data – (B)	yellow
	5	NC	Not connected	gray
	6	NC	Not connected	rose
	7	NC	Not connected	blue
	⏏	Shield	-	green - yellow

Table 1: Cable assignment of the sensor 1.1006.54.x8x

Order – No.	PIN	Name	Function	Core color
1.1006.54.1xx	1	+Us	5 ... 30V DC	white
	2	GND	Ground	brown
	3	Data+	RS485 Data + (A)	green
	4	Data-	RS485 Data – (B)	yellow
	5	Analogue 1	Abs. air pressure <sup>1</sup>	gray
	6	Analogue 2	Rel. humidity <sup>1</sup>	rose
	7	Analogue 3	Air temperature <sup>1</sup>	blue
	⏏	Shield	-	green - yellow

Table 2: Cable assignment of the sensor 1.1006.54.1xx

### 5.4 Plug Assignment

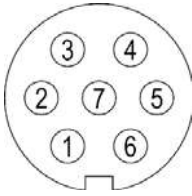
Order – No.	PIN	Name	Function	Core color	Mating connector
1.1006.54.78x	1	+Us	5 ... 30V DC	white	View on the soldered joint of the counter plug 
	2	GND	Ground	brown	
	3	Data+	RS485 Data + (A)	green	
	4	Data-	RS485 Data – (B)	yellow	
	5	NC	Not connected	gray	
	6	NC	Not connected	rose	
	7	NC	Not connected	blue	
	⏏	Shield	-	green – yellow	

Table 3: Plug assignment of the sensor 1.1006.54.78x

Order – No.	PIN	Name	Function	Core color	Mating connector
-------------	-----	------	----------	------------	------------------

<sup>1</sup> The outputs are configurable and may deviate from the descriptions in the tables. QFF and the dew point may also be output. Configuration takes place at the factory and can be queried with the command OL (Output Link). The specified configuration of the analog outputs refers to the parameter OL00134.

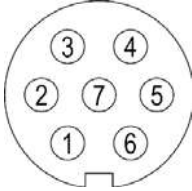
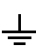
1.1006.54.7xx	1	+Us	5 ... 30V DC	white	View on the soldered joint of the counter plug 
	2	GND	Ground	brown	
	3	Data+	RS485 Data + (A)	green	
	4	Data-	RS485 Data – (B)	yellow	
	5	Analogue 1	Abs. air pressure <sup>1</sup>	gray	
	6	Analogue 2	Rel. humidity <sup>1</sup>	rose	
	7	Analogue 3	Air temperature <sup>1</sup>	blue	
		Shield	-	green – yellow	

Table 4: Plug assignment of the sensor 1.1006.54.74x

#### 5.4.1 Cable

The cable to be connected should have the following properties:

7 cores, core cross-section 0.25mm<sup>2</sup>, cable diameter 6 ... 8mm, resistant to ultraviolet rays, overall shielding

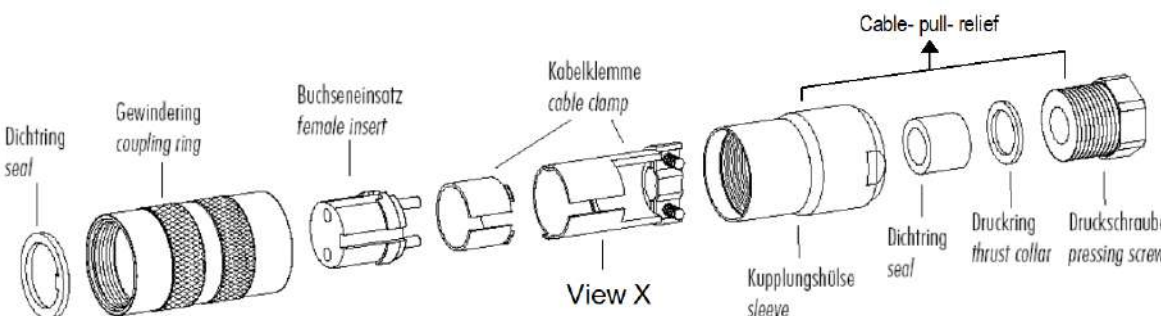
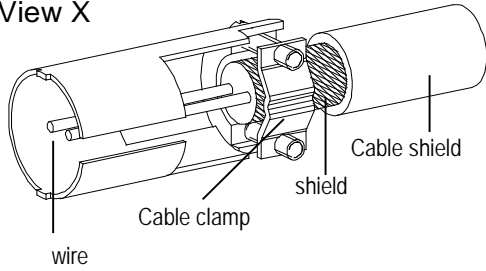
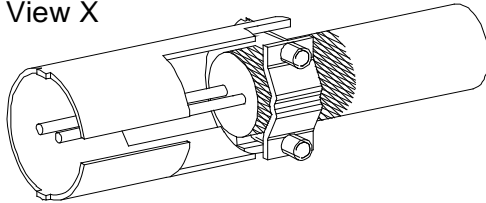
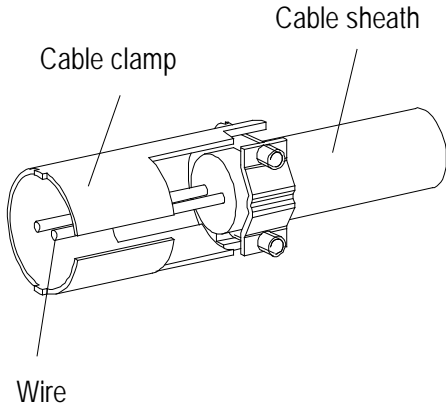
#### 5.4.2 Cable Shield

The connection of the cable shielding between the sensor and data acquisition system should be selected to prevent compensating currents in the event of overvoltage's and possible de-struction of the electronic components.

The following procedure is recommended for using the cable shield:

Lay the cable shield between the sensor and the data acquisition system (e.g., datalogger) on both sides. Ground the data acquisition system.

### 5.4.3 Plug and Cable Mounting

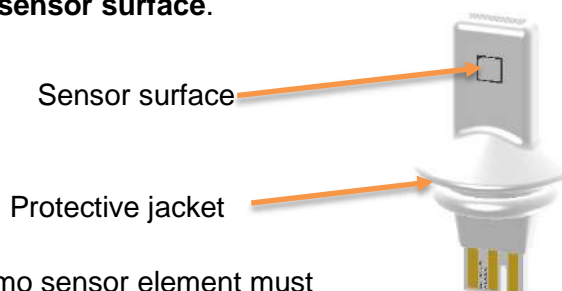
Coupling socket, Type: Binder, Serial 423, EMC with cable clamp	
	
Cable connection: <b>with</b> cable shield	
<ol style="list-style-type: none"> <li>Stringing parts on cable acc. to plan given above.</li> <li>Stripping cable sheath 20mm Cutting uncovered shield 15mm Stripping wire 5mm.</li> </ol> <p><i>Cable mounting 1</i> Putting shrink hose or insulating tape between wire and shield.</p> <p><i>Cable mounting 2</i> If cable diameter permits, put the shield backward on the cable sheath.</p> <ol style="list-style-type: none"> <li>Soldering wire to the insert, positioning shield in cable clamp.</li> <li>Screwing-on cable clamp.</li> <li>Assembling remaining parts acc. to upper plan.</li> <li>Tightening pull-relief of cable by screw-wrench (SW16 und 17).</li> </ol>	<p><i>Cable mounting 1</i> View X</p>  <p><i>Cable mounting 2</i> View X</p> 
Cable connection: <b>without</b> cable shield	
<ol style="list-style-type: none"> <li>Stringing parts on cable acc. to plan given above.</li> <li>Stripping cable sheath 20mm</li> <li>Cutting uncovered shield 20mm</li> <li>Stripping wire 5mm.</li> <li>Soldering wire to the insert.</li> <li>Positioning shield in cable clamp.</li> <li>Screwing-on cable clamp.</li> <li>Assembling remaining parts acc. to upper plan.</li> <li>Tightening pull-relief of cable by screw-wrench (SW16 und 17).</li> </ol>	

## 6 Maintenance

---

The hygro-thermo-baro transmitter is supplied adjusted and calibrated.

Although dust deposits do not damage the humidity sensor, they will impair dynamic behaviour. With very heavy soiling dust can be blown off the hygro-thermo sensor element or it can be carefully rinsed in distilled water. Do not touch the highly sensitive hygro-thermo sensor element on the **sensor surface**.



The white **protective jacket** on the hygro-thermo sensor element must not be removed.

Applications with filter cap: The filter cap can be taken off and should also be cleaned or replaced as necessary (see Accessories).

Figure 2: Hygro-thermo Measuring Element

## 7 Firmware Update

---

The firmware can be updated using the program "ThiesDeviceUtility" (see also 10 Bootloader). This program can be downloaded from the THIES homepage and installed. The firmware files are directly available from Thies. Firmware updates should only be performed prior to calibration of the sensor.

## 8 Bootloader

---

The software in the device consists of 2 components:

- Bootloader
- Firmware

The program part "Bootloader" cannot be changed and is executed first whenever the device starts up. The behaviour of the bootloader depends on the parameter "FB" (Fast Boot):

### **Command: FB=0**

The bootloader waits approx. 10s for the new firmware to be received via XMODEM protocol. The character "C" is output every second. The firmware starts either after the new firmware has been received or at the end of 10s.

### **Command: FB=1**

The bootloader starts the firmware at once.

The protocol XMODEM CRC with a user data length of 128 bytes per packet is used to transfer the firmware. The interface is operated here with 9600baud, 8 data bits, no parity and a stop bit (9600, 8, N, 1).

To assist with parameter settings and / or special configurations, our free Device Utility Tool (Art. No. 9.1700.81.000) is available for download via the following link.

Link: <https://www.thiesclima.com/de/Download>

Program "Thies Device Utility" under heading "General".

## 9 Analog Output

---

The analogue output is factory-configurable as a current or voltage output. Transmitters for which the current output or a voltage output with an output voltage greater than 2.5 volt (e.g., 0 ... 10V) is used require an input voltage of at least 15V. The setting of the maximum output signal can be read out with the command OSX. If the supply voltage is too low, the transmitter with current output reports an error and displays 3mA at all 3 outputs, as the maximum output current cannot be attained or accordingly 380 mV as an error value, since the maximum output value cannot be reached.

Three of the following measured values can be output to the three outputs. Configuration takes place on delivery and can be read out with the command OL:

- Absolute air pressure
- Reduced air pressure (DIN ISO2533)
- % Relative humidity
- Air temperature
- Dew point

The standard configuration is:

- Channel 1: absolute air pressure
- Channel 2: % relative humidity
- Channel 3: air temperature

With linear conversion of the form  $Y = ax + b$ , the measured value can be calculated from the output signal (current or voltage). Here Y is the measured value calculated, a is the divided difference, b the offset and x the measured output signal. The offset b is always the lower limit of the measured value, e.g., 600hPa or -40°C.

The divided difference is always the difference of the operating range of the measured value divided by the difference of the output signal.

Example:

Air pressure min:	800hPa
Air pressure max:	1200hPa
Output signal min:	0V
Output signal max:	10V

The difference of the operating range is then:  $1200\text{hPa} - 800\text{hPa} = \underline{400\text{hPa}}$

The difference of the output signal is:  $10\text{V} - 0\text{V} = \underline{10\text{V}}$ .

If the difference of the operating range is divided by the difference of the output signal, resulting in the following calculation:  $400\text{hPa} / 10\text{V} = 40\text{hPa/V}$ .

This results in the formula:

measured value  $Y = 40\text{hPa} * \text{output signal } x + 800\text{hPa}$

This results in the following equations for conversion:

	Air pressure (Output 1) 600hPa...1200hPa	Humidity (Output 2) 0%...100%	Temp. (Output 3) -40°C...60°C
0...1V	$p = \frac{600hPa}{1V} \cdot U[V] + 600hPa$	$F = \frac{100\%}{1V} \cdot U[V]$	$T = \frac{100^{\circ}C}{1V} \cdot U[V] - 40^{\circ}C$
0...10V	$p = \frac{600hPa}{10V} \cdot U[V] + 600hPa$	$F = \frac{100\%}{10V} \cdot U[V]$	$T = \frac{100^{\circ}C}{10V} \cdot U[V] - 40^{\circ}C$
4...20mA	$p = \frac{600hPa}{16mA} \cdot I[mA] + 600hPa$	$F = \frac{100\%}{16mA} \cdot I[mA]$	$T = \frac{100^{\circ}C}{16mA} \cdot I[mA] - 40^{\circ}C$

Table 5: Conversion analog outputs

## 10 Interface

The interface to the sensor consists of an RS485 connection (half duplex mode) with the following interface parameters:

- 9600 baud (the baud rate can be set with Command **BR**).
- 8 data bits.
- No parity.
- 1 stop bit.
- Data in ASCII format (command interpreter: THIES).
- Data in binary format (command interpreter: MODBUS RTU).

The behaviour (configuration) of the HTB sensor can be changed with the commands available (see **Commands and Description**). With the command interpreter type THIES the measured values are queried with **Command TR**.

If the parameter FB (see **Command FB**) is set to zero, the telegram "LL" is output when the sensor starts.

### Note:

**The start message is output with the baud rate set (see "Command BR") and the data format 8N1 (8 data bits, no parity, 1 stop bit).**

**The sensor is equipped with a half-duplex interface. If the sensor is set to automatic telegram output, commands can only be sent to the sensor without errors within the first 10 seconds. When commands are sent during independent telegram output, communication errors can occur.**



## 10.1 Command Interpreter THIES

The sensor is equipped with the command interpreter type THIES, which can be used to change the behaviour of the device or query information. It is possible e.g., to change the station height for calculating the reduced air pressure or to query sensor information with the command "LL".

A command basically has the following structure:

- <id><command><CR> (Without parameter: used to query the selected parameter).
- <id><command><parameter><CR> (With parameter: used to set a new parameter)

id: Identification number ("00" to "99")  
 Command: Command consisting of 2 or 3 characters (see list of commands)  
 Parameter: Parameter value with 1 to 10 places (decimal value in ASCII format directly following command without blanks)  
 <CR>: Carriage return (13<sub>dec</sub>; 0x0D)

The identification number 'id' can be used to operate several devices together in the bus system. Here each device is assigned an individual 'id' (see **Command ID**).

When sent, a command is acknowledged with a corresponding echo telegram. The echo telegram generally begins with "!", followed by the id, the command and the value set. This is followed by the characters "carriage return" and "new line".

The standard response deviates with erroneous commands or commands relating to status queries.

Commands can be sent either with or without parameters. If no parameter is specified, the set value is output.

<i>Example:</i>	00BR<CR>	Transmission command without parameter
	!00BR00005<CR>	Standard echo telegram
	00EFS<CR>	Transmission command without parameter
	Satellite art. No.: 510304	Echo telegram

Faults:	
Satellite status:	OK
I2C status:	OK
EEPROM status:	OK
Humidity status:	OK
Temperature status:	OK
Dew point status:	OK
00DA	invalid send command
Unknown command	Echo Telegram

If a command is sent with a parameter, the parameter is checked. If the parameter is valid, it is stored and specified in the echo telegram. If the parameter is invalid, it will be ignored and the set value output in the echo telegram. In special cases the standard echo telegram is not output with incorrect parameters, but the special telegram !00CE00008 (Incorrect key) or !00CE00016 (Parameter invalid).

*Examples:*

00ID00005<CR>	Transmission command.
!05ID00005<CR>	Echo telegram (Parameter valid and password OK).
00ID00004<CR>	Transmission command.
!00ID00000<CR>	Echo telegram (Parameter valid but key incorrect).
00EFS1<CR>	Transmission command.
!00CE00008<CR>	Echo telegram (parameter valid but key incorrect).

**Note:**

***The measured sensor values can be queried with the command TR. Here the sensor does not respond with the echo telegram, but with the requested data telegram!***

To avoid any unintentional change in parameters, some commands (see list of commands) are protected with a password. This password must be transmitted before the actual command.

*Example: Change in baud rate*

00KY1<CR>	Commands releasing the user level
00BR4<CR>	Set baud rate to 4800
!00BR00004<CR>	Baud rate set to 4800

The sensor supports 3 different password levels:

- User level 0 (standard mode, without password)
- User level 1 (password: "1", for user parameter settings)
- Administrator level
- Calibration level for calibration laboratories

**Please note:**

***Password-protected commands are released as long as one of the following conditions is satisfied:***

- ***switching of supply voltage***
- ***command 00KY0<CR> is sent***
- ***no new command is sent for min. 120s***

### 10.1.1 Telegram Formats

Data output takes place in response to the command TR. Selection between different telegrams is possible. In telegrams 6 and 7 measured values are output with a further place after the decimal point. Telegram 6 should be used to calibrate the sensor.

Calculation of the checksum, composition of the status word and the control characters/separators used in the telegrams are described below.

### Control characters:

CR – Carriage Return (13<sub>dec</sub>; 0x0D)

LF – Line Feed (10<sub>dec</sub>; 0x0A)

STX – Start of Text (2<sub>dec</sub>; 0x02)

ETX – End of Text (3<sub>dec</sub>; 0x03)

### Characters:

The individual measured values in the string are separated by a semicolon ';'. The multiplication sign '\*' is used as the check sum separator.

#### 10.1.2 Generation Check Sum:

The check sum is the result of bitwise EXOR linking of the bytes output in the telegram.

The EXOR link encompasses all bytes between the telegram start character "STX" and the byte "\*" as the identifying character for the start of the check sum.

The bytes "STX" and "\*" are not taken into account for calculation of the check sum.

#### 10.1.3 Status Information:

In the sensor there is a status word (32bit), which supplies information about the state of the transmitter. The measured values undergo a plausibility check and are displayed in the status word.

Bit number	Function	Description
Bit 0	VCC-Fault	The supply voltage is < 5V or > 30V
Bit 1	3V Fault	The 3V processor voltage is not OK
Bit 2	Fault pressure sensor	The pressure sensor reports fault
Bit 3	No measuring element	No valid measuring element was recognized
Bit 4	EEPROM- Fault	The EEPROM of the measuring element reports fault
Bit 5	Humidity - Fault	The humidity sensor of the measuring element reports Fault
Bit 6	Temperature- Fault	The temperature sensor of the measuring element reports Fault
Bit 7	Dew point - Fault	The dew point reports fault
Bit 8	Invalid replacement of the hygro-thermo measuring element	In the case of a calibrated sensor, the measuring element was replaced, see also Command CF
Bit 9	DAC Fault	No communication to the DAC
Bit 10	Parameter Fault	Parameters for calculating the output value are outside the valid range e.g., B. 0 ... 20mA, min value output range is> max. Value.
Bit 11	Modus Fault	Contradiction between hardware configuration and parameters.
Bit 12	Input value for measured value conversion outside the valid range	Value for converting the measured value into a current or a voltage are outside the permissible range of values. Measured value and / or parameters.
Bit 13	Satellite Fault	The satellite version is not known to the analog hygro-thermo measuring element
Bit 14	Link Fault	The parameter OL is invalid, see also Command OL
Bit 15	Analogue output commander	Analog hygro-thermo measuring element is in an inadmissible mode

Faults 4 - 8 are faults from the measuring element, faults 9 - 15 are faults from the analog output and only exist for sensors with an analog output.

Table 6: Status Word

## 10.2 Commands and Description

The following table lists the available commands and the corresponding password for reading and writing:

Command	Initial value Factory setting	MODBUS Register address	Description	Password Reading <sup>1</sup> / Writing <sup>2</sup>	
BR	5	40005	Baud rate	Without	User
CF	0	-	Calibration Status	Without	-
CI	0/1 <sup>2</sup>	40013	Command interpreter	Without	User
FB	1	40001	Quick start	Without	User
ID	0/1 <sup>3</sup>	40003	ID-number	Without	User
KY	0	40009	Key / Password	Without	Without
LL	-	-	Inquiry of the sensor status	Without	-
OL	134	-	Output configuration of the analog channels	Without	-
OR	1000	40017	Telegram output interval	Without	User
PO	5000	40025	Air pressure offset	Without	-
RD	20	40019	Response delay	Without	User
RS	-	40021	Reset	Without	User
SF	0	40015	Frame format (RS485)	Without	User
SH	0	40023	Station height	Without	User
SN	-	40007	Serial number	Without	-
TA	-	-	Part number	Without	-
TR	-	-	Telegram query	Without	Without
TT	0	-	Automatic telegram query	Without	User
EFS	-	-	Status information of the hygro-thermo measuring element	Without	-
AVN	30800	-	Analog output 1 min. measured value e.g., 800hPa	Without	User
AVX	31200	-	Analog output 1 max. B. 1200hPa	Without	User
BVN	30000	-	Analog output 2 min. measured value e.g., 0% rel. F.	Without	User
BVX	30100	-	Analog output 2 max. measured value e.g., 100% rel. F.	Without	User
CVN	29960	-	Analog output 3 min. measured value e.g., -40°C	Without	User
CVX	30060	-	Analog output 3 max. measured value e.g., 60°C	Without	User
OSN	0	-	Minimum output value for the analog channels e.g., 4mA	Without	User
OSX	10	-	Maximum output value for the analog channels e.g., 20mA	Without	User

Table 7: List of commands

<sup>2</sup> The device variant with THIES ACII interpreter is supplied with CI0, the variant with MODBUS RTU with CI1.

<sup>3</sup> The device variant with THIES ACII interpreter is supplied with ID0, the variant with MODBUS RTU with ID1. If the sensor contains an additional sticker with the ID, the ID of the sticker is valid.

### 10.2.1 Command BR

<id>BR<parameter><CR> Set the baud rate

Access: Read / write

Description: The baud rate is set with the command BR

Parameter Type: Unsigned integer

Parameter:

Parameter	Description
12	1200baud
24	2400baud
48	4800baud
96	9600baud
192	19200baud
384	38400baud
576	57600baud

Type return value: unsigned integer

Return value: See parameter

Value range: 12 / 24 / 48 / 96 / 192 / 384 / 576

Initial value: 96

### 10.2.2 Command CF

<id>CF<parameter><CR> Calibration status

Access: Read / write

Description: The calibration status (Calibration Flag) is set with the command CF. If another hygro-thermo measuring element (510307) is fit-ted, the error Invalid exchange of plug-in module is output.

Parameter Type: Unsigned integer

Parameter:

Parameter	Description
0	Without calibration
1	With calibration

Type Return value: Unsigned integer

Return value: See parameter

Range of values: 0 bis 1

Initial value: 0

### 10.2.3 Command CI

<id>CI<parameter><CR> Selection of the command interpreter

Access: Read / write

Description: The command interpreter is set with the command CI.

**Note:**

***If the identification number (ID) is greater than 98, it is automatically set to 0 with switching to the THIES interpreter!***

**Note:**

***If the identification number (ID) is 0, switching to the MODBUS-RTU interpreter is not then possible!***

Parameter Description:

Parameter	Description
0	THIES
1	MODBUS RTU

Range of values: 0 bis 1

Initial value: 0/1 depending on the device version.

0 with THIES ACII interpreter, 1 with MODBUS RTU

### 10.2.4 Command FB

<id>FB<parameter><CR> Quick start mode

Access: Read / write

Description: Quick start mode is selected with the command or the set mode queried. In Quick start mode the bootloader immediately goes to the firmware and does not output any data. The firmware does not output a telegram on transmitter status either. If Quick start mode is inactive, the bootloader outputs its software version, 9x C and the selected parameters BR, SF, CI and ID. The telegram "LL" is additionally output once after start-up in the firmware.

Parameter Type: Unsigned integer

Parameter: 0: Quick start mode off  
1: Quick start mode on

Type Return value: Unsigned integer

Return value: See parameter

Range of values: 0...1

Initial value: 1

### 10.2.5 Command ID

**<id>ID<parameter><CR>** Identification number

**Access:** Read / write

**Description:** This command sets the identification number (THIES interpreter) or the slave address (MODBUS RTU interpreter). A response telegram is sent only when the 'ID' in the command matches the one set in the sensor. An exception here is the generic 'ID', to which all sensors respond (THIES interpreter). Once the 'ID' has been changed, the device will immediately respond with the new 'ID'.

**Parameter Type:** Unsigned integer

**Parameter:** 99 generic 'ID' (THIES interpreter)  
0 Broadcast slave address (MODBUS RTU interpreter)

**Type Return value:** Unsigned integer

**Return value:** See parameter

**Range of values:** 0 bis 99 (THIES Interpreter)  
1 bis 247 (MODBUS RTU Interpreter)

**Initial value:** 0 (THIES Interpreter) für Sensor 1.1006.54.000  
1 (MODBUS RTU Interpreter) für Sensor 1.1006.54.001

### 10.2.6 Command KY

**<id>KY<parameter><CR>** Key/password

**Access:** Read / write

**Description:** The value for the key (password) is set with this command. The following 2 password levels are possible:

- Query (only read access)
- User (general settings)
- Admin (Thies version configuration)
- Calibration (calibration laboratories)

**Parameter Type:** Unsigned integer

**Parameter:**

Parameter	Description
0	Query
1	User
-	Admin (Thies internal)
On request	Calibration for laboratories

**Type Return value:** Unsigned integer

**Return value:** See parameter

**Range of values:** 0, 1, ...

**Initial value:** 0

## 10.2.7 Command LL

<id>LL<CR>                    System status query  
Access:                            Read  
Description:                      System information for the sensor is output with this command.  
Type Return value:               Text  
Return value:

```
Product description:  
Hygro-Thermo-Baro-Transmitter COMPACT  
Article number                : 1.1006.54.160  
PCB number                    : 510309  
Hardware version              : VER-09-20  
Voltage output                : 0.0 - 01.0V  
Output link                    : 134  
Serial number                 : 00000000  
FW version                    : V02.03  
Sensor ID                     : 00  
Thies Interpreter is active  
Automatic send of data is disabled.  
Fast boot is disabled.
```

```
Satellite data:  
Article number                : 510304  
Hardware version              : VER-09-20  
Serial number                 : 0000000002  
END
```



### 10.2.8 Command OL

<id>OL<parameter><CR> Output configuration (Output Link)

Access: Read

Description: The command reads out the output configuration of the analogue channels. It is possible to output different measured values to the analogue channels. This has to be configured by Thies at the factory. It is possible to output the following measured values:

- 1 = Absolute air pressure
- 0 = Relative air pressure
- 1 = Rel. humidity
- 2 = Air temperature
- 3 = Dew point

The return value has 5 figures, with the first two being reserved and always 0. The last 3 figures specify the output configuration for the 3 analogue outputs. The first number shows the measured value for output A (Analogue1), the second for output B and the Third for output C (Analogue3).

Type of return value: Integer without a leading sign

Return value: 00111 – 00555

Description: 00: reserved, always 0

The three figures for the 3 analogue outputs may assume the values 1 – 5 and are linked to the above measured values. With the initial value the number 1 indicates that analogue output 1 outputs the absolute air pressure. The number 3 indicates that the relative humidity is output at output 2 and the air temperature at output 3.

Initial value: 00134

### 10.2.9 Command OR

<code>&lt;id&gt;OR&lt; parameter &gt;</code>	Telegram output interval (Output Rate)
Access:	User mode
Description:	<p>With independent telegram output this parameter is used to specify the time interval in which telegrams are output via the serial interface. Specification is in milliseconds. If the output speed is higher than the data can be transmitted, the available output is discarded.</p> <p>If the output is faster than acquisition of the measured values, the measured values available are output again.</p> <p>The parameter OR does not influence data acquisition; the internal sampling rate of the data is fixed to 1 second.</p> <p>See also <b>Command TT</b>.</p>
ParameterDescription:	<p>0: → A telegram is always output when internal measured value acquisition has calculated a new data set.</p> <p>1...60000 → Specifies the output interval in milliseconds.</p>
Range of values:	0...60000 [ms]
Initial value:	1000

### 10.2.10 Command PO

<code>&lt;id&gt;PO&lt;parameter&gt;&lt;CR&gt;</code>	Air pressure offset
Access:	Read
Description:	<p>The pressure offset is reset with this command. The pressure offset is selected with adjustment of the sensor on initial start-up.</p> <p>The parameter / return value has an offset of 5000 related to the offset of the transmitter. An increase or decrease in the parameter of +/-1 results in an offset correction of +/-0.01hPa.</p>
Type Return value:	Query (only read access) Integer
Description:	<p>4900 -&gt; -1hPa</p> <p>5000 -&gt; 0hPa</p> <p>5100 -&gt; 1hPa</p>
Range of values:	4000 ... 6000
Initial value:	5000

### 10.2.11 Command RD

<id>RD<parameter> Delayed response (Response Delay)  
 Access: Read / write  
 Description: With this command the response is delayed by the time specified in ms following a command via the serial interface  
 Range of values: 0 ... 1000  
 Initial value: 20  
 Unit: ms

### 10.2.12 Command RS

<id>RS<parameter><CR> Reset  
 Access: Read / write  
 Description: The command RS is used to query the reset source (read without parameter) or to perform reset/restart (write with parameter). Write with a parameter returns a standard response with a parameter value without a leading sign. Read gets back a text stream with the reset source.

The following reset sources can be output:

BOR	(Power On Reset Flag)
EXT	(External Reset Flag)
BODCORE	(Brownout Detection Core)
BODVDD	(Brownout Detection Power Supply)
WDT	(Watchdog Reset Flag)
SYST	(System Reset)
invalid	(all other cases)

Parameter Type: Unsigned integer  
 Parameter: 1 Watchdog Reset  
 2 Software Reset  
 Type Return value: Integer without a leading sign or text stream (see Description)  
 Return value: Parameter or text stream  
 Range of values: 1 / 2  
 Initial value: -

### 10.2.13 Command SF

<id>SF<parameter><CR>	Frame format
Access:	Read / write
Description:	The frame format of the interface is set with the command SF
Parameter Type:	Unsigned integer
Parameter:	0: 8N1 (8 data bits, no parity, 1 stop bit) 1: 8N2 (8 data bits, no parity, 2 stop bits) 2: 8E1 (8 data bits, even parity, 1 stop bit) 3: 8E2 (8 data bits, even parity, 2 stop bits) 4: 8O1 (8 data bits, odd parity, 1 stop bit) 5: 8O2 (8 data bits, odd parity, 2 stop bits)
Type Return value:	Unsigned integer
Return value:	See parameter
Range of values:	0 ... 5
Initial value:	0

### 10.2.14 Command SH

<id>SH<parameter><CR>	Station height
Access:	Read / write
Description:	<p>The station height at the sensor site is set with this command. This value is used to calculate the relative air pressure. The height is specified in metres.</p> <p>It is necessary to specify the station height to calculate the reduced air pressure at sea level. If the station height is 0m, the value output for the reduced air pressure and the absolute air pressure are identical.</p>
Parameter Type:	Unsigned integer
Parameter:	Height above sea level in metres 0...3000: station height in metres. Basis for calculating the reduced (relative) air pressure
Type Return value:	Unsigned integer
Return value:	See parameter
Range of values:	0 ... 3000
Initial value:	0

### 10.2.15 Command SN

<id>SN<parameter><CR> Serial number  
Access: Read  
Description: The command enables the serial number to be read.  
Parameter Type: -  
Parameter: -  
Type Return value: Unsigned integer  
Return value: xxxxxxxxxx: serial number  
Range of values: xxxxxxxxxx  
Initial value: -

### 10.2.16 Command TA

<id>TA<parameter><CR> Thies part number  
Access: Read  
Description: Returns the article number with the hardware version. The article number is queried with Parameter 1 and Parameter 2, e.g. 00TA1 and 00TA2.  
  
Query (only read access)  
Type Return value: Unsigned integer  
Return value: 00TA11006  
00TA54080  
Together, this results in the article number  
1.1006.54.080

### 10.2.17 Command TR

<id>TR<parameter><CR>	Measured value request
Access:	Read
Description:	The command initiates one-off transmission of the current data telegram.
Parameter Type:	Unsigned integer
Parameter:	1: Query measured value telegram 1 2: Query measured value telegram 2 3: Query measured value telegram 3 4: Query measured value telegram 4 5: Query measured value telegram 5 6: Query measured value telegram 6 7: Query measured value telegram 7
Type Return value:	Character string
Return value:	Character string (see <b>Telegram</b> )
Range of values:	1 ... 7
Initial value:	-

### 10.2.18 Command TT

<id>TT<parameter>	Independent telegram output (Telegram Transmission)
Access:	User mode
Description:	Specifies the number of the telegram that the ULTRASONIC transmits independently on a cyclic basis. The same telegrams are available as described under <b>Command TR</b> . To switch off independent telegram output, the parameter of TT must be set to 0.
Type Return value:	Character string
Return value:	See <b>Telegram</b>
Range of values:	0 ... 7
Initial value:	0

**Note:**

*The sensor is equipped with a half duplex interface. If the sensor is set to automatic telegram output, commands can only be sent to the sensor without errors within the first 10 seconds. When commands are sent during independent telegram output, communication errors can occur.*

### 10.2.19 Command EFS

<id>EFS<parameter><CR>	Status of the plug-in module (Extended Fault Status)
Access:	Read
Description:	The command returns the status of the plug-in module. For each sub-module the telegram sends a line with the name of the module, followed by the status. If the sub-module is OK, OK is also returned. Otherwise the error number is returned.
Parameter Type:	-
Parameter:	-
Type Return value:	Character string
Return value:	Status in hexadecimal form
Description:	Satellite part. no.: 510304 Status: Satellite status: OK I2C status: OK EEPROM status: OK Humidity status: OK Temperature status: OK Dew point status: OK

### 10.2.20 Command AVN

<id>AVN<parameter><CR>	Lower limit for the measured value at analogue output 1 (Channel A value min).
Access:	Read / write
Description:	The command specifies the lower limit of the value to be measured at analogue output 1 with the lowest output signal, e.g. 800hPa with output voltage 0 volt.  The parameter has an offset of 30000. To calculate the parameter to be entered, the required limit value must be added to 30000. For example, 30800 must be entered for 800hPa. With negative numbers e.g. -40°C, 40 must be deducted from 30000 and 29960 thus entered.  At analogue output 1 the default is output of the absolute air pressure. It is however possible at the factory to also output another measured value to the channel (see here <b>Command OL</b> ).
Parameter Type:	Unsigned integer
Parameter:	29920 - 31200
Return value:	As parameter
Initial value:	30800

### 10.2.21 Command AVX

<id>AVX<parameter><CR> Upper limit for the measured value at analogue output 1 (Channel A value max.).

Access: Read / write

Description: The command specifies the upper limit of the of the value to be measured at analogue output 1 with the highest output signal, e.g. 1200hPa with output current 20mA.

The parameter has an offset of 30000. To calculate the parameter to be entered, the required limit value must be added to 30000. For example, 31200 must be entered for 1200hPa. With negative numbers e.g. -40°C, 40 must be deducted from 30000 and 29960 therefore entered.

At analogue output 1 the default is output of the absolute air pressure. It is however possible at the factory to also output another measured value to the channel (see here **Command OL**).

Parameter Type: Unsigned integer

Parameter: 29920 ... 31200

Return value: As parameter

Initial value: 31200

### 10.2.22 Command BVN

<id>BVN<parameter><CR> Lower limit for the measured value at analogue output 2 (Channel B value min).

Access: Read / write

Description: The command specifies the lower limit of the value to be measured at analogue output 2 with the lowest output signal, e.g. 0% rel. hum. with output voltage 0 volt.

The parameter has an offset of 30000. To calculate the parameter to be entered, the required limit value must be added to 30000. For example, 30800 must be entered for 800hPa. With negative numbers e.g. -40°C, 40 must be deducted from 30000 and 29960 therefore entered.

At analogue output 2 the default is output of the relative humidity. It is however possible at the factory to also output another measured value to the channel (see here **Command OL**).

Parameter Type: Unsigned integer

Parameter: 29920 ... 31200

Return value: As parameter

Initial value: 30000



### 10.2.23 Command BVX

<id>BVX<parameter><CR> Upper limit for the measured value at analogue output 2 (Channel B value max.).

Access: Read / write

Description: The command specifies the upper limit of the value to be measured at analogue output 2 with the highest output signal, e.g. 100% rel. hum. with output current 20mA.

The parameter has an offset of 30000. To calculate the parameter to be entered, the required limit value must be added to 30000. For example, 30100 must be entered for 100% rel. hum. With negative numbers e.g. -40°C, 40 must be deducted from 30000 and 29960 therefore entered.

At analogue output 2 the default is output of the relative humidity. It is however possible at the factory to also output another measured value to the channel (see here **Command OL**).

Parameter Type: Unsigned integer

Parameter: 29920 ... 31200

Return value: As parameter

Initial value: 30100

### 10.2.24 Command CVN

<id>CVN<parameter><CR> Lower limit for the measured value at analogue output 3 (Channel C value min).

Access: Read / write

Description: The command specifies the lower limit of the value to be measured at analogue output 3 with the lowest output signal, e.g. -40°C with output voltage 0 volt.

The parameter has an offset of 30000. To calculate the parameter to be entered, the required limit value must be added to 30000. For example, 30800 must be entered for 800hPa. With negative numbers e.g. -40°C, 40 must be deducted from 30000 and 29960 therefore entered.

At analogue output 3 the default is output of the air temperature. It is however possible at the factory to also output another measured value to the channel (see here **Command OL**).

Parameter Type: Unsigned integer

Parameter: 29920 ... 31200

Return value: As parameter

Initial value: 29960

### 10.2.25 Command CVX

<id>CVX<parameter><CR> Upper limit for the measured value at analogue output 3 (Channel C value max.).

Access: Read / write

Description: The command specifies the upper limit of the value to be measured at analogue output 3 with the highest output signal, e.g. 60°C with output current 20mA.

The parameter has an offset of 30000. To calculate the parameter to be entered, the required limit value must be added to 30000. For example, 30060 must be entered for 60°C. With negative numbers e.g. -40°C, 40 must be deducted from 30000 and 29960 therefore entered.

At analogue output 3 the default is output of the air temperature. It is however possible at the factory to also output another measured value to the channel (see here **Command OL**).

Parameter Type: Unsigned integer

Parameter: 29920 ... 31200

Return value: As parameter

Initial value: 30060

### 10.2.26 Command OSN

<id>OSN<parameter><CR> Min. value output signal (Output Signal Min)

Access: Read / write

Description: The command reads / writes the lower limit of the output current / output voltage, e.g. 4mA or 0 volt. The parameter / return value is the lower limit multiplied by a factor of 10, e.g. 40 for 4mA.

Parameter Type: Unsigned integer

Parameter: 0, 40

Type Return value: Unsigned integer

Return value: 0, 40

Description: As parameter

Initial value: 0

### 10.2.27 Command OSX

<id>OSX<parameter><CR>	Max. value output signal (Output Signal Max)
Access:	Read / write
Description:	The command reads / writes the upper limit of the output current / output voltage, e.g. 20mA or 10 volt. The parameter / return value is the upper limit multiplied by a factor of 10, e.g. 200 for 20mA.
Parameter Type:	Unsigned integer
Parameter:	10 ... 100, 200
Type Return value:	Unsigned integer
Return value:	10 ... 100, 200
Description:	As parameter
Initial value:	10

## 10.3 Command Interpreter MODBUS RTU

If the MODBUS RTU command interpreter is selected, the transferred bytes are interpreted according to the MODBUS specification (<http://www.modbus.org/>). The sensor represents a MODBUS slave here.

Data transfer takes place in packets known as frames, max. 256 bytes in size. Each packet contains a 16bit CRC checksum (Initial value: 0xffff).

Slave address	Functional code	Data	CRC	
1byte	1byte	0 ... 252 byte(s)	2Bytes	
			CRC low-byte	CRC high-byte

Table 8: MODBUS Frame

The following MODBUS functions are supported:

- 0x04 (Read Input Register).
- 0x03 (Read Holding Registers).
- 0x10 (Write Multiple Registers).
- 0x2B (Read Device Identification with MEI-Type 0x0E).

The wind transmitter supports writing accesses for the slave address 0 ("broadcast").

All MODBUS requests received are checked for validity prior to execution. In the event of an error the sensor responds with one of the following exceptions (→MODBUS Exception Responses):

Code	Name	Meaning
0x01	ILLEGAL FUNCTION	The functional code in the request is not admissible for the register address.
0x02	ILLEGAL DATA ADDRESS	The register address in the request is not valid.
0x03	ILLEGAL DATA VALUE	The specified data in the request is not admissible.

Table 9: MODBUS Exceptions

### 10.3.1 Measured Values (Input Register)

All measured values of the sensor occupy 32bit, i.e. 2 MODBUS register addresses. The following table shows assignment of the measured value to an register address, with the measured values being sorted as given below:

- According to measured value Type (30001 to 34999).
- In uninterrupted sequence (35001 to 39999).

Register address	Parameter name	Unit	Multiplier	Explanation	Data Type
30401	Air temperature (35007) <sup>1</sup>	°C	10	Value / 10 (1 Decimal place, e.g. 255=25.5°C)	S32
30601	Rel. humidity (35005) <sup>1</sup>	%r.F.	10	Value / 10 (1 Decimal place, e.g. 355=35.5%r.F.)	U32
30605	Dew point temperature	°C	10	Value / 10 (1 Decimal place, e.g. 115=11.5°C)	S32
30801	Absolute air pressure (Unit: hPa) (35001) <sup>1</sup>	hPa	10	Value / 10 (1 Decimal place, e.g. 10500=1050.0hPa)	U32
30803	Relative air pressure (Unit: hPa) (35003) <sup>1</sup>	hPa	10	Value / 10 (1 Decimal place, e.g. 10500=1050.0hPa)	U32
Complete sequence of the measured values at start of 35001					
35001	Absolute air pressure (Unit: hPa) (30801)	hPa	10	Value / 10 (1 Decimal place, e.g. 10500=1050.0hPa)	U32
35003	Relative air pressure (Unit: hPa) (30803)	hPa	10	Value / 10 (1 Decimal place, e.g. 10500=1050.0hPa)	U32
35005	Rel. humidity (30601)	%r.F.	10	Value / 10 (1 Decimal place, e.g. 355=35.5%r.F.)	U32
35007	Air temperature (30401)	°C	10	Value / 10 (1 Decimal place, e.g. 255=25.5°C)	S32
35009	Dew pointtemperatur (30605)	°C	10	Value / 10 (1 Decimal place, e.g. 115=11.5°C)	S32
35011	Sensorstatus			Sensor status, see chapter 10.1.3	

Table 10: MODBUS Input Register

<sup>1</sup>: The numbers in brackets indicate the register addresses which represent the same measured values. So is the Air temperature for example.is at both address 30401 and address 35007.

**Note:**

*Continuous ordering of the measured values from address 35001 allows the MODBUS master to read out all measured values with a single request.*

### 10.3.2 Commands (Holding Register)

All commands of the sensor occupy 32bit, i.e. 2 MODBUS register addresses and represent integers without a leading sign. The following example shows a change in the baud rate to 19200 baud.

1. Set password for the user level (KY=1)

Slave address	Functional code	Start address	Number register	Number byte(s)	Data	CRC	
0x01	0x10	0x9C 49	0x00 02	0x04	0x00 00 00 EA	0x4F 7C	
						CRC low-byte	CRC high-byte

2. Set command baud rate to 19200 baud (BR=6)

Slave address	Functional code	Start address	Number register	Number byte(s)	Data	CRC	
0x01	0x10	0x9C 45	0x00 02	0x04	0x00 00 00 06	0x4E A4	
						CRC low-byte	CRC high-byte

The commands available for parameter setting are listed in the chapter 10.2 commands and description.

### 10.3.3 Device detection (Read Device Identification)

The sensor supports the MODBUS function 0x2B (Read Device Identification) with the MEI type 0x0E. This allows the MODBUS master to automatically recognise the sensor Function: 0x2B / 0x0E (Read Device Identification).

MEI Type: 0x0E

Read Device ID code: 1, 2, 3 (stream access)

Supported objects:

Objekt-Id	Object name / description	Type	Category	Value <sup>1, 2</sup>
0x00	Vendorname	ASCII String	Basic	"Adolf Thies GmbH &CO. KG"
0x01	Product - Code	ASCII String		1.1006.x4.xxx
0x02	Firmware version	ASCII String		"V02.02"
0x03	VendorUrl	ASCII String	Regular	"www.thiesclima.com"
0x04	Productname	ASCII String		„Hygro-Thermo-Baro-Transmitter“
0x05	Modellname	ASCII String		"Hygro-Thermo-Pressure-Sensor"
0x80	HW-ID	ASCII String	Extended	TBD

Table 11: Device identifier

<sup>1</sup>: The maximum length of a value can be 32 bytes.

<sup>2</sup>: The quotation marks are not part of the character string.

<sup>3</sup>: The HW ID (object ID: 0x80) consists of 22 bytes, which represent 11 binary bytes.

## 11 Data Telegrams

### 11.1 Telegram 1

The sensor responds to the command "00TR1 \ r" with the measured value telegram. The telegram structure is shown in the following table:

Position	Length	Sample	Description
1	1	STX	Start sign (start of text).
2	2	xx	Identification number (ID) xx: 0 ... 99
4	1	;	Separation sign (';')
5	6	1002.3	Absolute air pressure
11	1	;	Separation sign (';')
12	6	1014.5	Reduced air pressure at sea level (see command SH)
18	1	;	Separation sign (';')
19	4	0000	Sensor status (see status information)
23	1	*	Checksum identifier (*)
24	2	xy	Exclusive or linked checksum in hexadecimal representation x: high nibble checksum in HEX y: low nibble checksum in HEX
26	1	CR	Carriage return
27	1	LF	Line feed
28	1	ETX	End of text

Table 12: Measured value Telegram 1

## 11.2 Telegram 2

The sensor responds to the command "00TR2 \ r" with the Measured value telegram. The telegram structure is shown in the following table:

Position	Length	Sample	Description
1	1	STX	Start sign (start of text).
2	2	xx	Identification number (ID) xx: 0 ... 99
4	1	;	Separation sign (';')
5	6	1002.3	Absolute air pressure
11	1	;	Separation sign (';')
12	6	1014.5	Reduced air pressure at sea level (see command SH)
18	1	;	Separation sign (';')
19	5	045.3	Rel. humidity
24	1	;	Separation sign (';')
25	5	+24.3	Air temperature
30	1	;	Separation sign (';')
31	4	0000	Sensor status (see status information)
35	1	*	Checksum identifier (*)
36	2	xy	Exclusive or linked checksum in hexadecimal representation x: high nibble checksum in HEX y: low nibble checksum in HEX
38	1	CR	Carrige return
39	1	LF	Line feed
40	1	ETX	End of text

Table 13: Measured Value-Telegram 2



## 11.3 Telegram 3

The sensor responds to the command "00TR3 \ r" with the Measured value telegram. The telegram structure is shown in the following table:

Position	Length	Sample	Description
1	1	STX	Start sign (start of text).
2	2	xx	Identification number (ID) xx: 0 ... 99
4	1	;	Separation sign (';')
5	6	1002.3	Absolute air pressure
11	1	;	Separation sign (';')
12	6	1014.5	Relative air pressure at sea level (see command SH)
18	1	;	Separation sign (';')
19	5	045.3	Rel. humidity
24	1	;	Separation sign (';')
25	5	+24.3	Air temperature
30	1	;	Separation sign (';')
31	5	+03.4	Dew point
35	1	;	Separation sign (';')
36	4	0000	Sensor status (see status information)
40	1	*	Checksum identifier (*)
41	2	xy	Exclusive or linked checksum in hexadecimal representation x: high nibble checksum in HEX y: low nibble checksum in HEX
43	1	CR	Carrige return
44	1	LF	Line feed
45	1	ETX	End of text

Table 14: Measured value-Telegram 3

## 11.4 Telegram 4

The sensor responds to the command "00TR4 \ r" with the Measured value telegram. The telegram structure is shown in the following table:

Position	Length	Sample	Description
1	1	STX	Start sign (start of text).
2	2	xx	Identification number (ID) xx: 0 ... 99
4	1	;	Separation sign (';')
5	6	1002.3	Absolute air pressure
11	1	;	Separation sign (';')
12	6	1014.5	Relative air pressure at sea level (see command SH)
18	1	;	Separation sign (';')
19	5	045.3	Rel. humidity
24	1	;	Separation sign (';')
25	5	+24.3	Air temperature
30	1	;	Separation sign (';')
31	5	+03.4	Dew point
35	1	;	Separation sign (';')
36	7	05.1810	Measured supply voltage
43	1	;	Separation sign (';')
44	7	03.3110	Measured 3.3V supply voltage
51	1	;	Separation sign (';')
52	4	0000	Sensor status (see status information)
56	1	*	Checksum identifier (*)
57	2	xy	Exclusive or linked checksum in hexadecimal representation x: high nibble checksum in HEX y: low nibble checksum in HEX
59	1	CR	Carriage return
60	1	LF	Line feed
61	1	ETX	End of text

Table 15: Measured Value-Telegram 4

## 11.5 Telegram 5

The sensor responds to the command "00TR5 \ r" with the Measured value telegram. The telegram outputs the measured information in plain text:

```
Sensor ID:      00
Air pressure:   0928.4hPa
QNH:           0928.4hPa
Humidity:      032.1% rel.H.
Temperature:   +20. 4deg.C
Dew point:     +03. 2deg.C
Voltage Vcc:   5.174V
Voltage 3.3V: 3.314V
Hardware Version: VER-09-20
Sensor Status:  OK
```

## 11.1 Telegram 6

The sensor responds to the command "00TR6\r" with the measured value telegram. The telegram gives the measured values with a further place after the decimal point and should be used to calibrate the sensor. The telegram structure is shown in the following table:

Position	Length	Sample	Description
1	1	STX	Start sign (start of text).
2	2	xx	Identification number (ID) xx: 0 ... 99
4	1	;	Separation sign (';')
5	7	1002.34	Absolute air pressure
12	1	;	Separation sign (';')
13	5	045.3	Rel. humidity
18	1	;	Separation sign (';')
19	6	+24.34	Air temperature
25	1	;	Separation sign (';')
26	4	0000	Sensor status (see status information)
30	1	*	Checksum identifier (*)
31	2	xy	Exclusive or linked checksum in hexadecimal representation x: high nibble checksum in HEX y: low nibble checksum in HEX
33	1	CR	Carriage return
34	1	LF	Line feed
35	1	ETX	End of text

Table 16: Measured Value-Telegram 6

## 11.2 Telegram 7

The sensor responds to the command "00TR7r" with the measured value telegram. The telegram specifies the measured values with a further place after the decimal point. The telegram structure is shown in the following table:

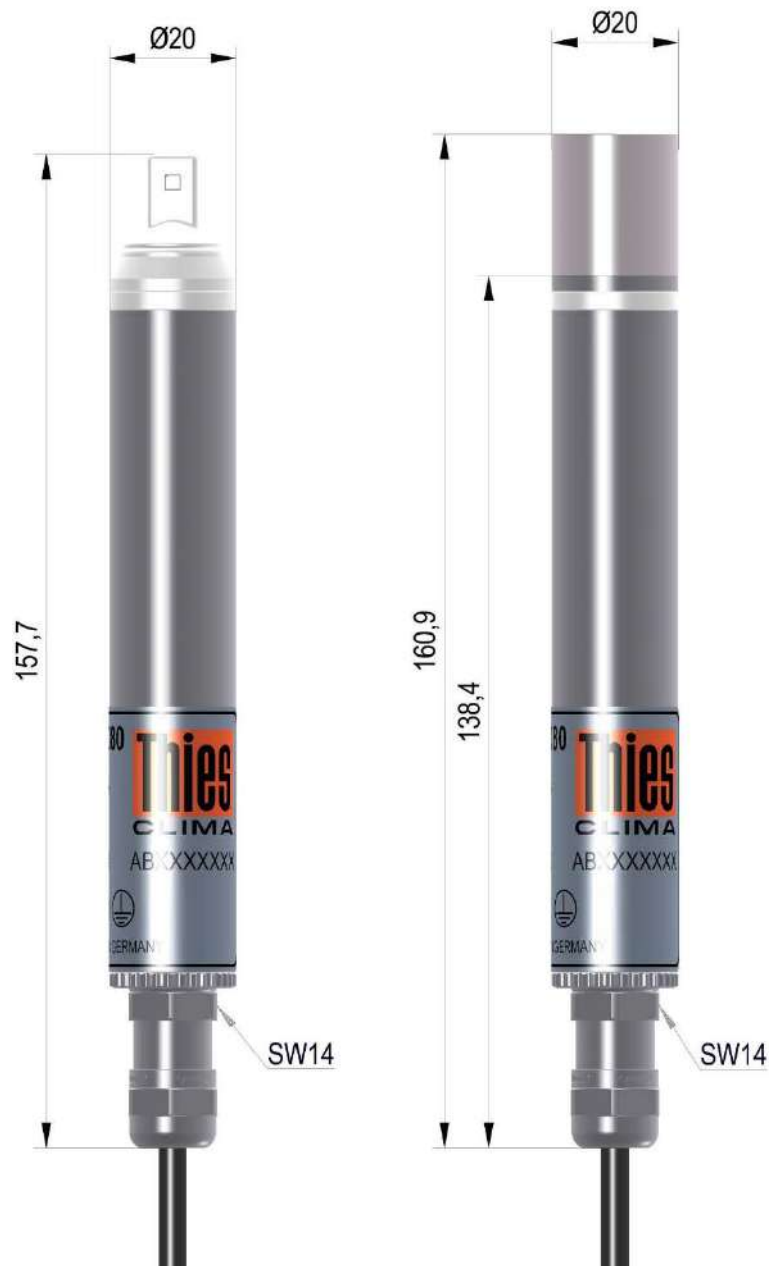
Position	Length	Sample	Description
1	1	STX	Start sign (start of text).
2	2	xx	Identification number (ID) xx: 0 ... 99
4	1	;	Separation sign (';')
5	7	1002.34	Absolute air pressure
8	1	;	Separation sign (';')
9	7	1002.34	Relative air pressure at sea level (see command SH)
16	1	;	Separation sign (';')
17	5	045.3	Rel. humidity
22	1	;	Separation sign (';')
13	6	+24.34	Air temperature
29	1	;	Separation sign (';')
30	6	+03.45	Dew point
36	1	;	Separation sign (';')
37	4	0000	Sensor status (see status information)
41	1	*	Checksum identifier (*)
42	2	xy	Exclusive or linked checksum in hexadecimal representation x: high nibble checksum in HEX y: low nibble checksum in HEX
44	1	CR	Carriage return
45	1	LF	Line feed
46	1	ETX	End of text

Table 17: Measured Value-Telegram 7

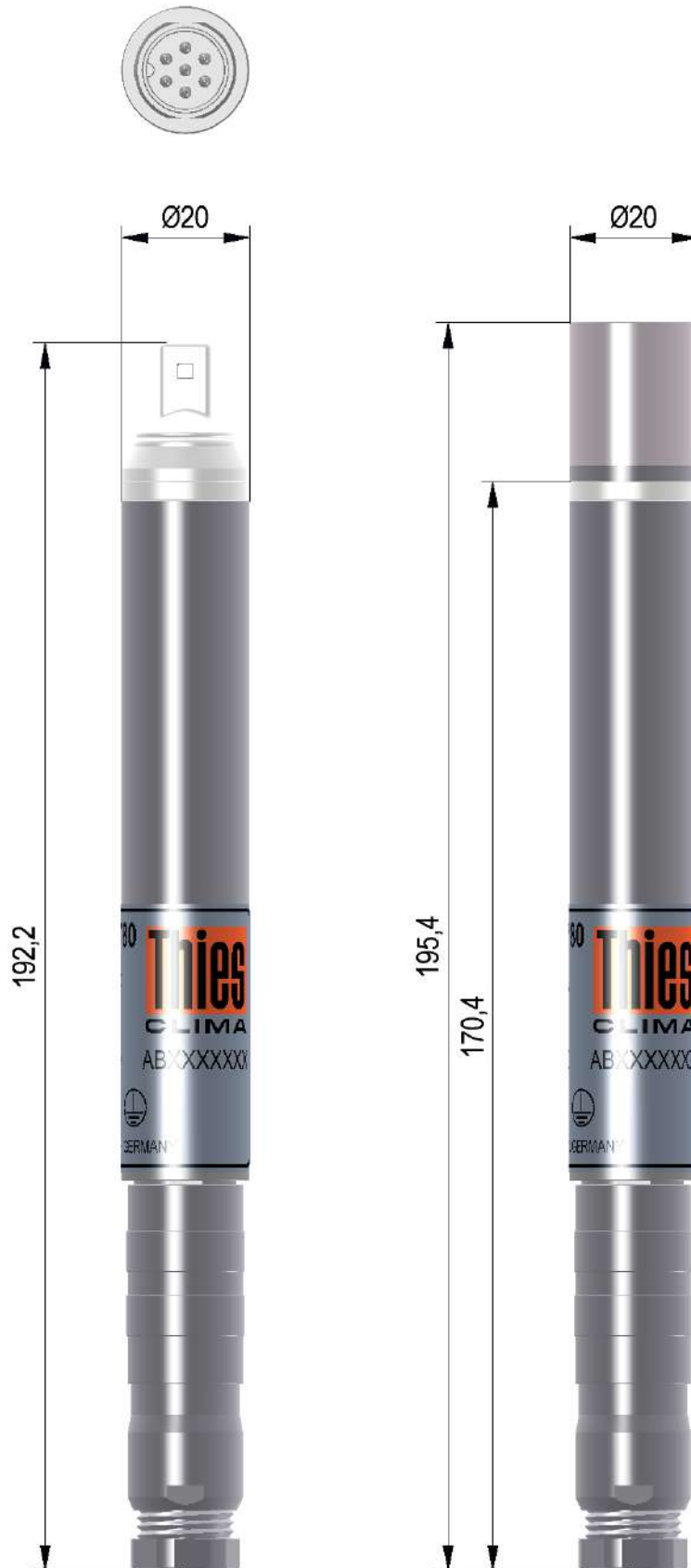
## 12 Technical Data

<b>Relative Humidity</b>	
Measuring range	0 ... 100% rel. Humidity
Accuracy	± 2% @ 0...80°C
Long-term stability	Type. < 0,25 rel. humidity / year
Setting time <sup>1</sup>	≤ 8sec
<b>Air temperature</b>	
Measuring range	-40 ... +80°C
Accuracy	± 0.2°C @ -40 ... +20°C ± 0.5°C ± 0.5°C @ +20 ...+100°C @ moved air > 2m/s
Long-term stability	Max. ≤ 0,03°C / Year
Setting time <sup>1</sup>	≤ 2sec
<b>Barometric pressure</b>	
Measuring range	300 ... 1200hPa
Accuracy	± 0.25hPa @ -20 ... +80°C @ 800 ... 1100hPa ± 0.50hPa @ -20 ... +80°C @ 600 ... 800hPa
Long-term stability	± 0,3hPa / Year
Setting time <sup>1</sup>	max.8s           with 5m cable length max.15s         with 50m cable length
<b>Further</b>	
See 1. Models	RS 485 HD; 0 ... 1V; 0 ... 10V; 4 ... 20mA
<b>Serial interface</b>	Type                    RS485 Operating mode       Half duplex mode Data format           8N1 Baud rate             2400, 4800, 9600, 19200, 38400, 57600
Resolution (Telegram and interpreter dependent)	Air pressure:         0,01hPa (max.) Humidity:            0,1% rel. humidity Temperature:         0,01°C (max.)
Accuracy	See above
<b>Further shielded, UV-resistant</b>	
Cable 1.1006.54.xxx	LiYCY 7 x 0.25mm <sup>2</sup> shielded, UV-resistant
Electric supply for electronic	Voltage:         5 ... 30V DC Current:         3 mA Type. @ 12V
Type of connection	See 1. Models
Admissible environmental conditions	-40 ... +80°C 0 ... 100 rel. humidity, including condensation
Dimensions	See 13. and 14. Dimensional drawing
Weight	ca. 0.45kg
Type of protection	IP 67 (applies to the total sensor)
Housing material	Stainless steel or aluminium anodized

## 13 Dimensional Drawing Cable Version



## 14 Dimensional Drawing Plug Version



## 15 Accessories (optional)

<b>Sinter-Filter</b>  The filter serves for protecting the sensor elements of the Hygro-thermo transmitter against dust in case of field application	510314	Material: Stainless steel Dimensions: Ø 20 x 25mm.
<b>Calibration adapter air pressure</b>	510025	for Hygro-Thermo-Baro Transmitter
<b>Replacement hygro thermal measuring element</b>	510307	Calibrated replacement measuring element for exchange
<b>Weather and radiation protection with fan</b>  12 ... 30V DC / 2W, with 5m cable.  For mast tube assembly Ø 30 ... 50mm.	1.1025.80.100	By using the weather and radiation protection in combination with suitable temperature and humidity sensors, the possibility of errors being influenced by radiation, precipitation or damage is minimized.  Even more precise measurement results can be achieved by using this ventilated weather and radiation protection. The ventilation reduces errors that occur when measuring in a weather and radiation protection through the creation of the so-called "own climate".
<b>Weather and radiation protection without fan</b>  Für Mastrohr Montage Ø 30 ... 50mm.	1.1025.55.000	By using the weather and radiation protection in combination with suitable temperature and humidity sensors, the possibility of errors being influenced by radiation, precipitation or damage is minimized.
<b>Wall bracket ZA50</b>	1.1005.54.903	for Hygro-Thermo-Baro Transmitter

Please contact us for other accessories such as cables, power supply units, masts, as well as for additional mast- or system-constructions.



## 16 Appendix

---

### 16.1 Calibration of the Sensor

It is possible to calibrate the sensor for the measured values Temperature, Rel. humidity and Air pressure. The individual steps for calibration are described below in the following points. Telegram 6 should be used to calibrate the sensor. The calibration result is not saved on the sensor. Any adjustment does not form part of the calibration process.

### 16.2 Calibration of Temperature / Humidity

The calibration of humidity and air temperature corresponds to the calibration of conventional sensors. Because it is however necessary with the present sensor to avoid accidentally confusing the hygro-thermo sensor element, the parameter CF must be set to 1 after calibration. This ensures that on exchange of the hygro-thermo sensor element the air temperature / humidity is no longer output.

### 16.3 Calibration of Air Pressure

To calibrate the internal air pressure sensor, it is necessary to operate the sensor "open" so as to ensure pressure equalisation between the housing interior and the outside air is as fast as possible. In practice the installed pressure equalisation with the cable is sufficiently fast with fluctuations in barometric air pressure. For calibration such equalisation may be too slow. To avoid this shortcoming, it is recommended removing the hygro-thermo sensor element on pressure calibration.

Adapter 510025 (not included in the scope of supply) can be used to specify the reference pressure via an external source. The adapter is equipped with a standard plug connection with an inside diameter 2.2mm for hoses with an outside diameter 4 mm. It is fitted onto the sensor's silicone stopper.



Adapter 510025

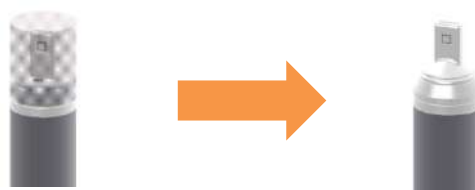
To calibrate air pressure, the following steps are necessary:

1. Switch off supply voltage

**Attention:**

Before and when replacing the hygro-thermo measuring element, the person which performing the work must have potential equalization. Electrostatic discharges via the hygro-thermo measuring element can cause damage.

2. Operation with filter cap: Remove filter cap



3. Operation without filter cap: Pull off mounting ring upwards, unclip.

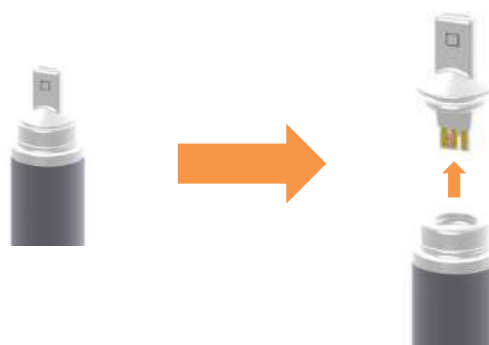
When re-assembling, clip mounting ring back on so there is no longer a gap.



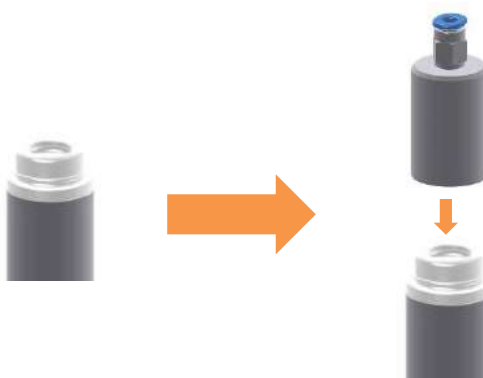
4. Pull off sensor element upwards.

**Note:**

Do not touch the highly sensitive hygro-thermo sensor element on the **sensor surface**.



5. Position adapter 510025 (calibration implement air pressure) on sensor without sensor element up to the stop.



6. Air pressure adjustment can then be carried out as for conventional air pressure sensors.



Apply voltage and reference pressure to sensor and calibrate.

8. To return to initial state, perform steps 5, 4, 3, 2, 1.

**Note:**

There should be no gaps between the individual components after disassembly and re-mounting of the sensor element.

## 16.4 Calculation of Air Pressure

The air pressure is output in hPa and indicates the air pressure at the measuring site. This air pressure value is also known as QFE. With indication of the station height the sensor can calculate the reduced air pressure referred to sea level. This value is also known as QFF. If the sensor is located above sea level, the reduced air pressure at sea level is always higher than the measured air pressure.

The reduced air pressure (QFF) is the air pressure which is used as a reference value for example by official bodies such as the meteorological services.

When calculating, the height difference between the measuring height and the mounting height of the sensor should be taken into account.

The internal air pressure of the transmitter is equalised via the cable. For this reason the air pressure is measured from the end of the cable. The air pressure is measured at the height of the transmitter. Pressure fluctuations, e.g., door closed in an airtight room, are dampened to the greatest possible extent by the long time constant of over 8s.

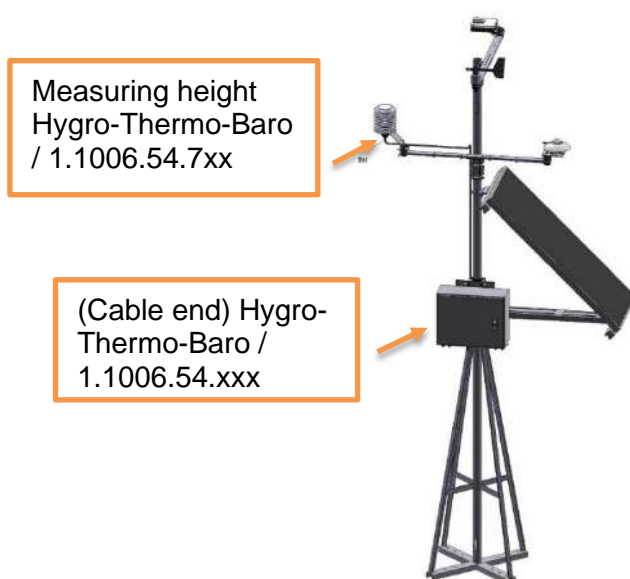


Figure 3: Example Pressure Equalization

## 16.5 Exchange of Hygro-Thermo Sensor Element

The sensor is designed so that the hygro-thermo sensor element can be exchanged.

To avoid accidentally confusing the hygro-thermo sensor element with the present sensors, the parameter CF must be set to 1 after calibration. This ensures that only calibrated sensors are used. To exchange the hygro-thermo sensor element, parameter CF must thus be set to 0 or the air temperature / humidity will no longer be output.

The following steps are necessary to exchange the hygro-thermo sensor element:

1. Switch off supply voltage

### Attention:

Before and when replacing the hygro-thermo measuring element, the person which performing the work must have potential equalization. Electrostatic discharges via the hygro-thermo measuring element can cause damage.

2. When operating with filter cap: Remove filter cap



3. Pull off mounting ring upwards, unclip.



4. Pull off sensor element upwards.



### Note:

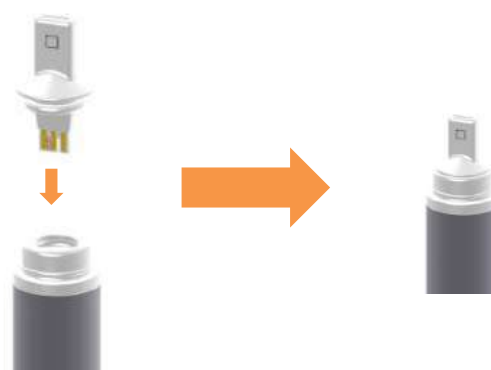
Do not touch the highly sensitive hygro-thermo sensor element on the **sensor surface**.

5. Insert the new sensor element from above.

**Note:**

Do not touch the highly sensitive hygro-thermo sensor element on the **sensor surface**.

The sensor element is protected against polarity reversal and will only fit into the recess one way.



6. Insert the measuring element until it protrudes out 15mm.

7. Fit the mounting ring on top and clip on so there is no longer a gap.



8. When operating with filter cap: Fit filter cap back on.



**Note:**

There should be no gaps between the individual components after exchanging the sensor element.

9. Apply voltage to sensor.

All adjustment parameters for the hygro-thermo sensor element are stored on the sensor element. The sensor is fully functional after exchange.

## 16.6 Table and Figures Overview

### Table overview:

Table 1: Cable assignment of the sensor 1.1006.54.x8x .....	10
Table 2: Cable assignment of the sensor 1.1006.54.1xx .....	10
Table 3: Plug assignment of the sensor 1.1006.54.78x .....	10
Table 4: Plug assignment of the sensor 1.1006.54.74x .....	11
Table 5: Conversion analog outputs .....	16
Table 6: Status Word.....	19
Table 7: List of commands .....	20
Table 8: MODBUS Frame .....	35
Table 9: MODBUS Exceptions .....	35
Table 10: MODBUS Input Register.....	36
Table 11: Device identifier .....	38
Table 12: Measured value Telegram 1 .....	39
Table 13: Measured value-Telegram 2 .....	40
Table 14: Measured value-Telegram 3 .....	41
Table 15: Measured value-Telegram 4 .....	42
Table 16: Measured value-Telegram 6 .....	43
Table 17: Measured value-Telegram 7 .....	44

### Figures overview:

Figure 1: Example Pressure Equalization.....	7
Figure 2: Hygro-thermo Measuring Element.....	13
Figure 3: Example Pressure Equalization.....	51

## 17 EC-Declaration of Conformity

---

**Note:**

*The instrument is a prototype without EC-Declaration of Conformity.*

© Copyright: Adolf Thies GmbH & Co KG

**Please contact us for your system requirements.  
We advise you gladly.**

**ADOLF THIES GMBH & CO. KG**

Meteorology and environmental metrology  
Hauptstraße 76 · 37083 Göttingen · Germany  
Phone +49 551 79001-0 · Fax +49 551 79001-65  
info@thiesclima.com



[www.thiesclima.com](http://www.thiesclima.com)